

# PHOTOELECTRIC SWITCH

## Features

- Diameter M18 mm.
- Supply voltage 10-30 VDC.
- Short circuit protected.
- Conforming to IP67.
- Fast response.
- Design of mounting hole , easy to install.
- Can detect from Horizontal or Vertical position.



## Specifications

Supply Voltage	DC10~30V, Ripple (P--P):10% Max
Current Consumption	30 mA. Max
Max Output Current	100 mA. Max
Response Time; Switching Frequency	Less Than 1.0 mS (ON+OFF); □1000 Hz
Circuit Protection	1. Output Over Current Protection
	2. Reverse - Polarity Protected
	3. Interference Suppression
Output Type	NPN or PNP Open Collector
Operation Mode	Light-On, Dark-On Selectable by Control Cable (White)
Indicator	Yellow LED on, When Light is Received
Ambient Temperature	Operating Temperature: -25° ~55°C
Protection Degree	IP67
Extraneous Light Immunity	Lamplight: 3000Lux; Sunlight: 10000 Lux Max
Adjustable Sensitivity	YES—By Potentiometer
Cable	Length: 2M, Material: PVC, Color: Gray

## Product Selection

WE-□ □ □ □ □ □

1 2 3 4 5 6

1.Sensing Mode Type	Axial Version type Detection Range	Radial Version type	2. Output types	3.Material of Body
T Thru-Beam.	10M	8M	N NPN open collector	P Plastic
R Retro-Reflective.	2M (M46mirror), 3M (M51mirror)	1.6M (M46mirror), 2.4M (M51mirror)	P PNP open collector	M Metal
D Diffuse Reflective.	Check sensing distance from code 5.			

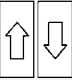
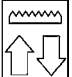
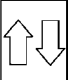
4.Outlet Mode for Cables	5.Sensing Distance(only Diffuse Reflective)		6.Sensing of Light Mode
	Axial Version	Radial Version	
W1 Horizontal 1M cable	S 20 cm	S 16 cm	- Axial Version
W3 Connected with Plastic Socket	U 40 cm	U 32 cm	V Radial Version
W4 Connected with Metal Socket	L 80 cm	L 60 cm	

**HIGHLY**

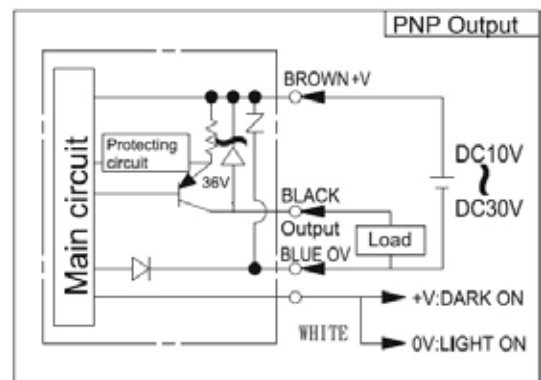
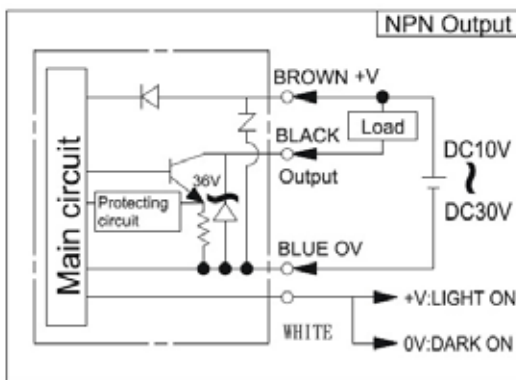
D15

Design, specifications are subject to change without notice.

# PHOTOELECTRIC SWITCH

Model Item / Type / Operating principle	Detecting distance	WE Series DC Type	
		NPN Output	PNP Output
 Thru-Beam 透過型	0-8M	WE-TNPW1 WE-TNMW1	WE-TPPW1 WE-TPMW1
 Retro-Reflective 鏡片反射型	0-2M	WE-RNPW1 WE-RNMW1	WE-RPPW1 WE-RPMW1
 Diffuse Reflective 擴散反射型	0-20cm	WE-DNPW1S WE-DNMW1S	WE-DPPW1S WE-DPMW1S
	0-40cm	WE-DNPW1U WE-DNMW1U	WE-DPPW1U WE-DPMW1U
	0-80cm	WE-DNPW1L WE-DNMW1L	WE-DPPW1L WE-DPMW1L

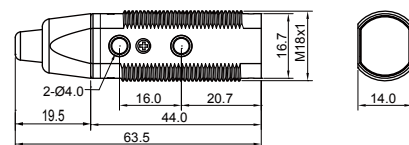
## Wiring Diagram



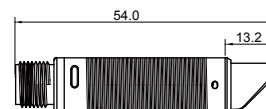
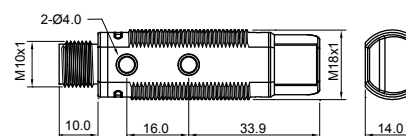
## Dimensions

### WE Series

#### Axial Version type



#### Radial Version type



Unit: mm

**HIGHLY**

D16

Design, specifications are subject to change without notice.