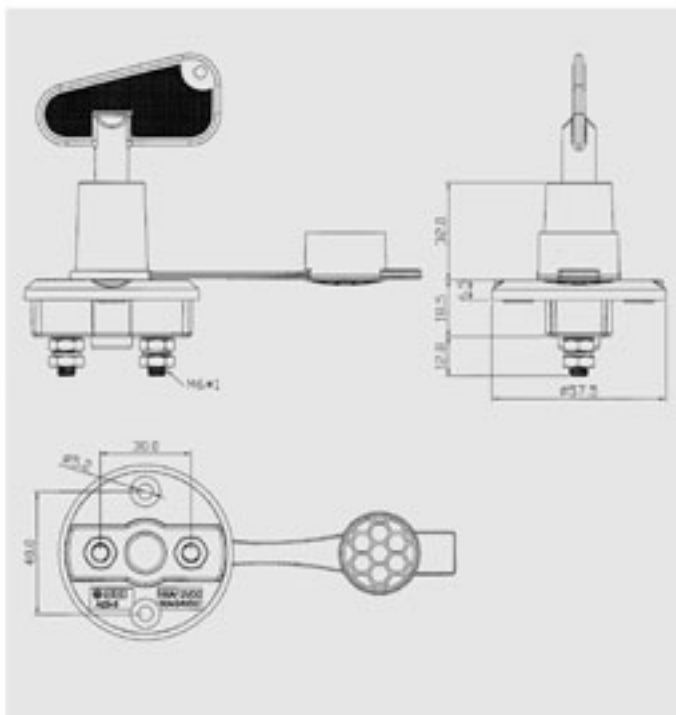


A23 BATTERY SWITCH

*Car Switches & Accessories***NEW**

A23-5 D



Key Out

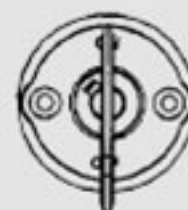


Circuit diagram

OFF



ON



Continuous Rating

100A 12V / 50A 24VDC

Contact Resistance

50M Ω Max

Intermittent Rating

150A 12V / 75A 24V DC

Cranking Rating

500 Amps 5 sec.

Insulation Resistance

DC 500V 100M Ω Min

Dielectric Strength

AC 1000V 1 minute

DC 2000V 1 minute

Operation Temperature

-30 $^{\circ}$ C ~ +60 $^{\circ}$ C

Switch Function

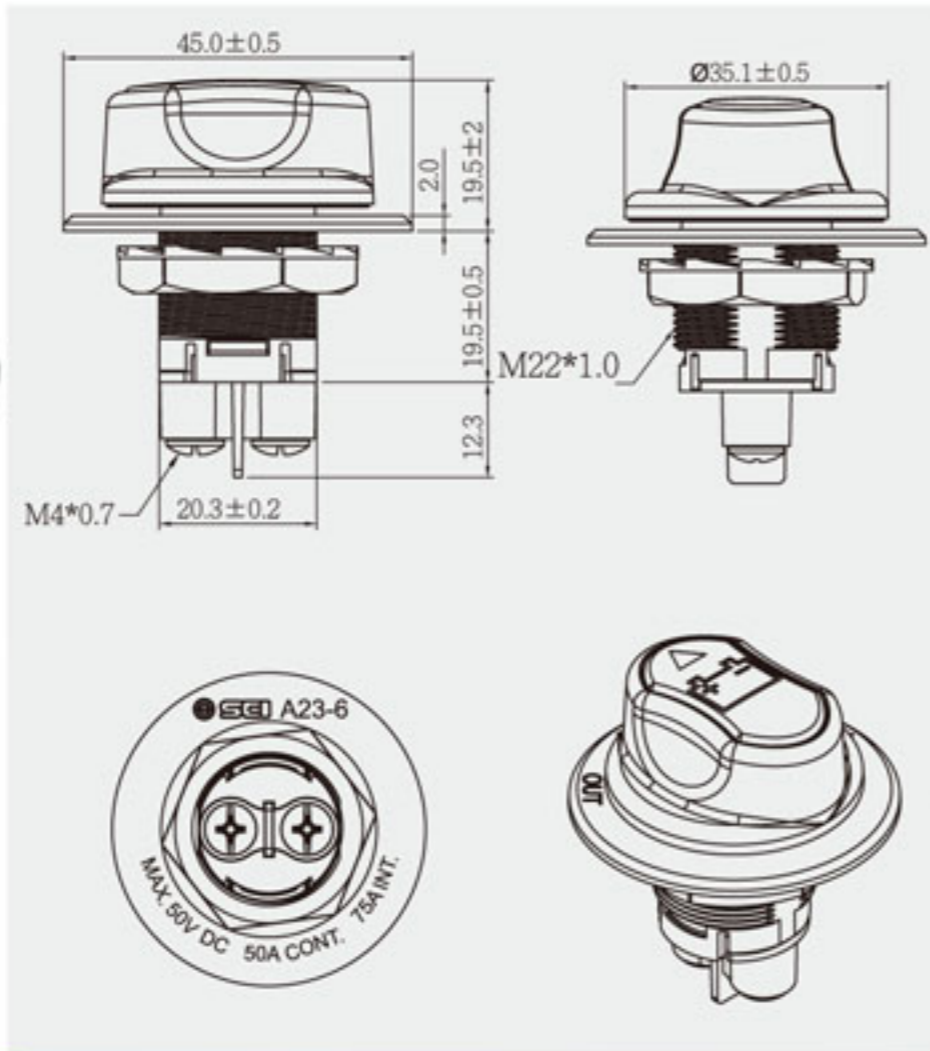
2P SPST OFF-ON

FEATURES:

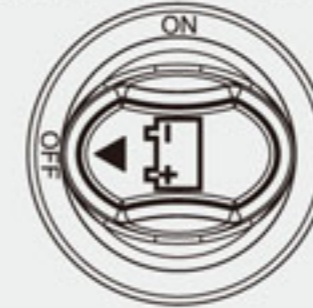
- Material:
 - Housing: Black, PA#66+15%GF, with white printing.
 - Actuator: Red, PBT+33%GF
 - Name Plate: White, ABS with black hot stamping
 - Bottom: Black, PBT+15%GF
 - Bolt: Brass(M6xP1)
 - Wire nut for connection: Hex nut, Ni-plated, Brass
 - Waterproof Cover: Black, PVC

A23-6 □

IP54



A Actuator can't be take out.



B Actuator can be take out.



Continuous Rating

50 Amps 50VDC Max.

Contact Resistance

50MΩ Max

Intermittent Rating

75 Amps

Cranking Rating

300 Amps 5 sec.

Insulation Resistance

DC 500V 100MΩ Min

Dielectric Strength

AC 1000V 1 minute

DC 2000V 1 minute

Operation Temperature

-30°C ~ +60°C

Switch Function

2P SPST OFF-ON

FEATURES

- Material:

Housing: Black, PA#66+33%GF, with white hot stamping

Actuator: Red, PBT+15%GF

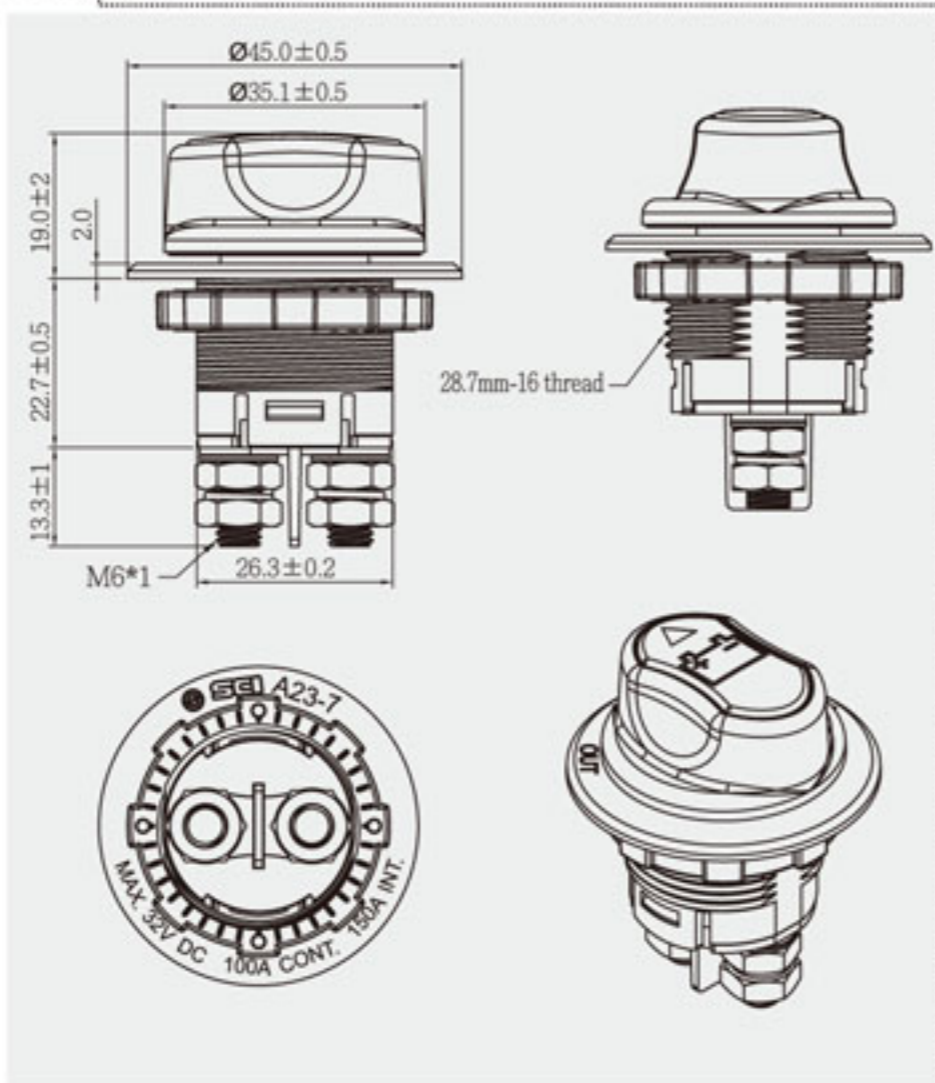
Name Plate: White, ABS with black hot stamping

Bottom: Black, PBT+15%GF

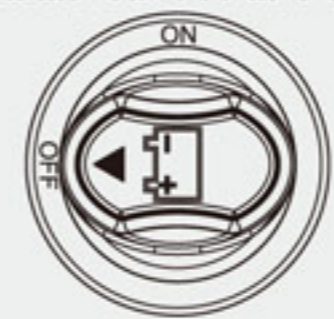
Nut: Black, POM

Screw: Ni-plated, Brass

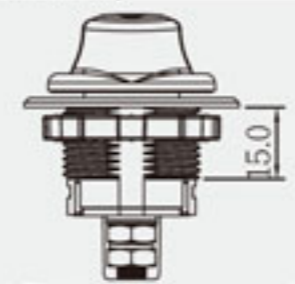
A23-7



A Actuator can't be take out.

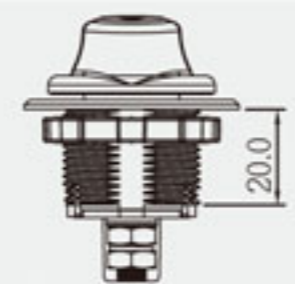


B Actuator can be take out.



Panel Thickness:11.0mm Max.

B



Panel Thickness:16.0mm Max.

Continuous Rating

100 Amps 32VDC Max.

Contact Resistance

50M Ω Max

Intermittent Rating

150 Amps

Cranking Rating

500 Amps 5 sec.

Insulation Resistance

DC 500V 100M Ω Min

Dielectric Strength

AC 1000V 1 minute

DC 2000V 1 minute

Operation Temperature

-30 $^{\circ}$ C ~ +60 $^{\circ}$ C

Switch Function

2P SPST OFF-ON

FEATURES

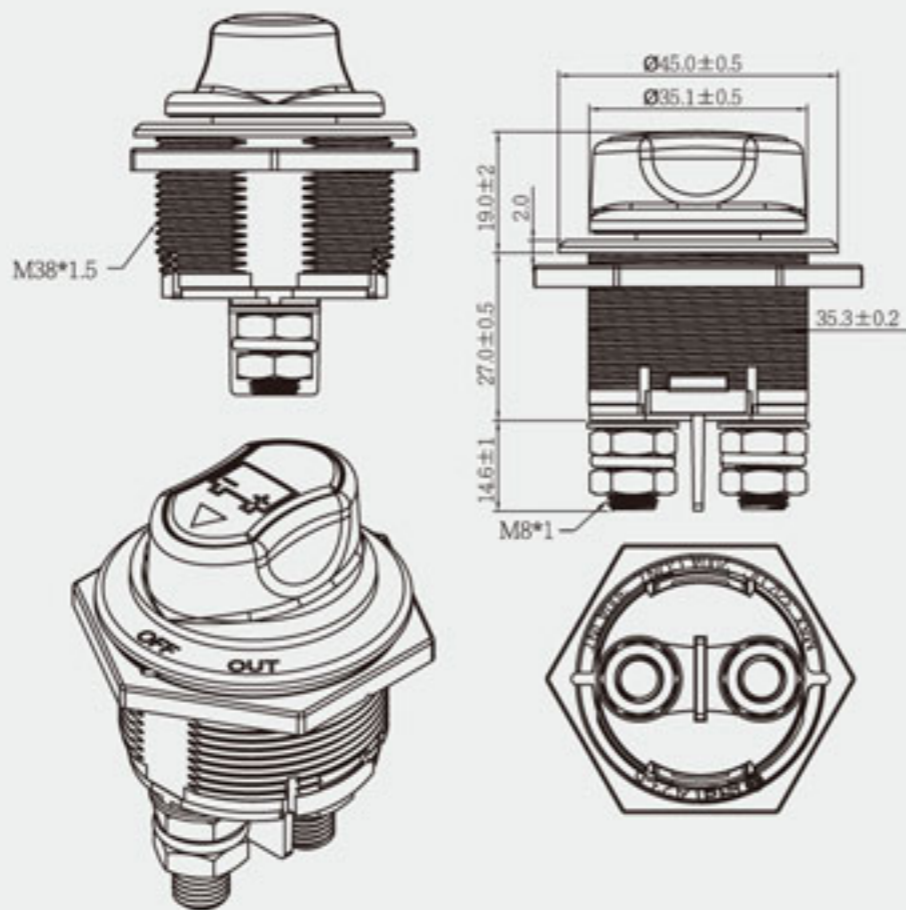
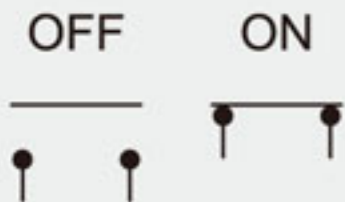
- Material:
 Housing: Black, PA#66+33%GF, with white hot stamping
 Actuator: Red, PBT+15%GF
 Name Plate: White, ABS with black hot stamping
 Bottom: Black, PBT+15%GF
 Nut: Black, PA#66
 Hex Nut: Ni-plated, Brass

IP40
 ○ IP56

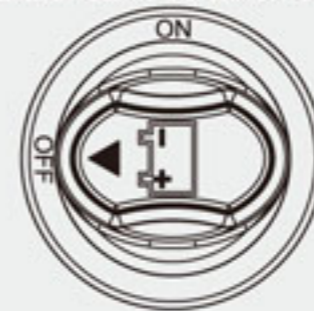
A23-8



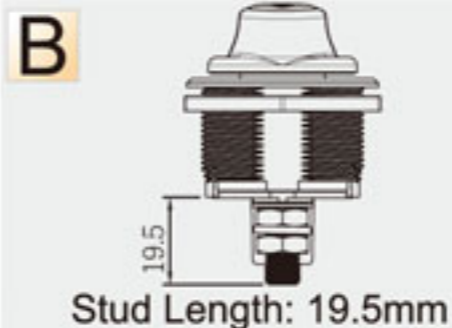
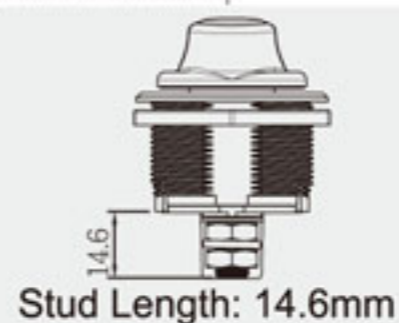
Circuit diagram



A Actuator can't be taken out.



B Actuator can be taken out.



IP40
○ IP56

Continuous Rating

200 Amps 32V DC Max.

Contact Resistance

50M Ω Max

Intermittent Rating

300 Amps

Cranking Rating

750 Amps 5 sec.

Insulation Resistance

DC 500V 100M Ω Min

Dielectric Strength

AC 1000V 1 minute

DC 2000V 1 minute

Operation Temperature

-30 $^{\circ}$ C ~ +60 $^{\circ}$ C

Switch Function

2P SPST OFF-ON

FEATURES

- Material:
 - Housing: Black, PA#66+33%GF, with white hot stamping
 - Actuator: Red, PBT+15%GF
 - Name Plate: White, ABS with black hot stamping
 - Bottom: Black, PBT+15%GF
 - Nut: Steel/ Bolt: Brass
 - Hex Nut: Ni-plated, Brass