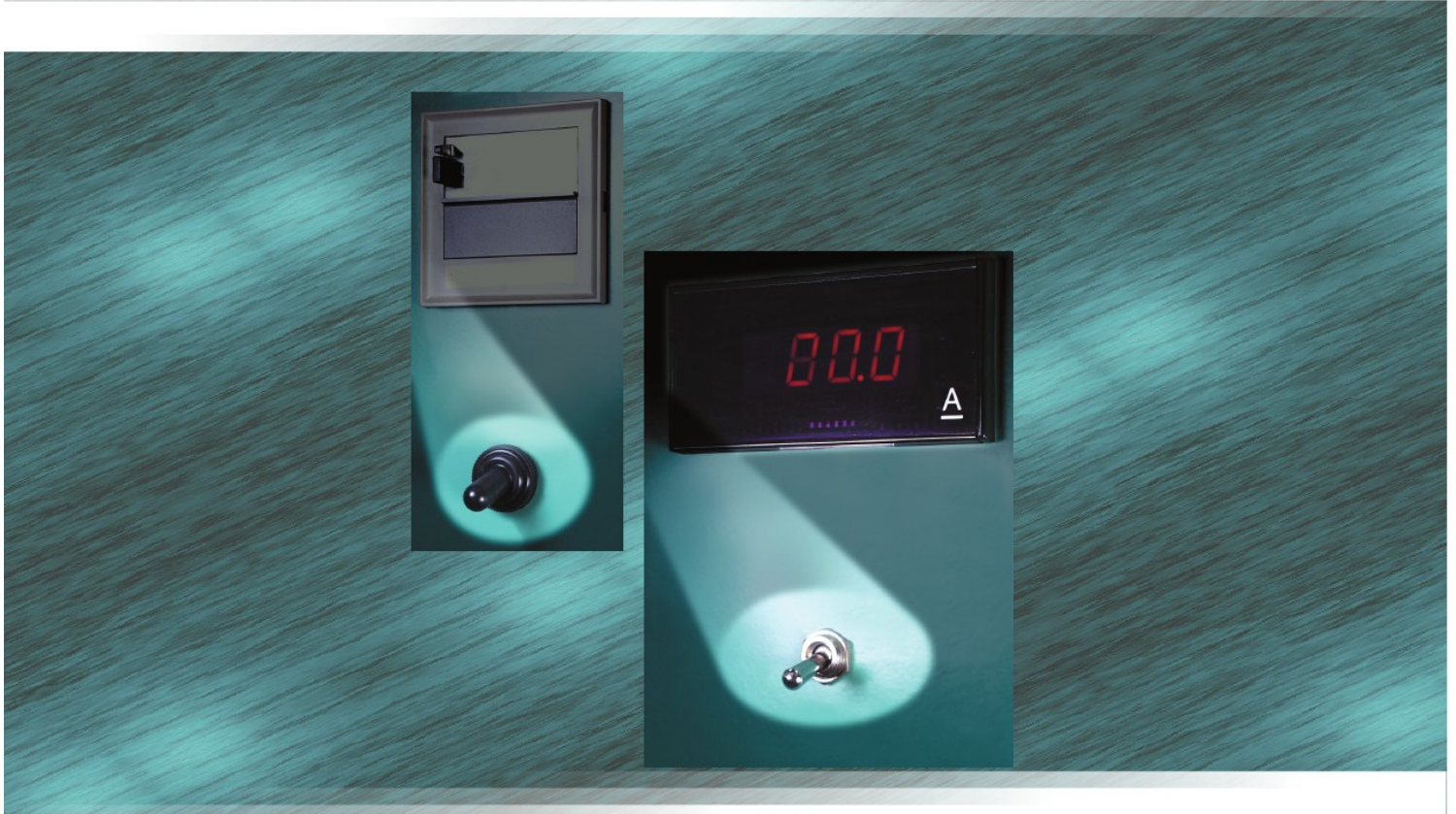
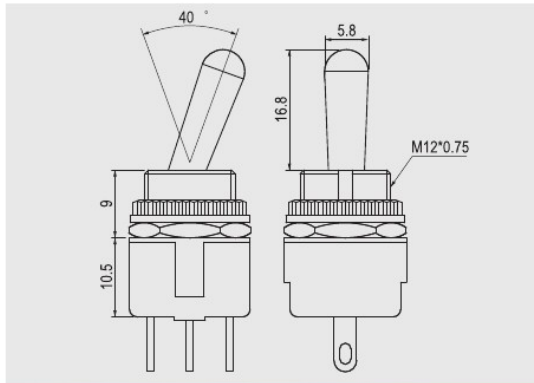


R13 TOGGLE SWITCH

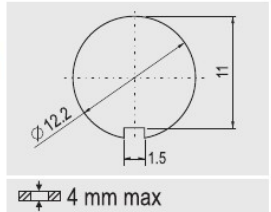
Switches



R13-37



Rating	6A 125V AC 3A 250V AC
Contact resistance	50mΩ Max
Insulation resistance	DC 500V 100MΩ Min
Dielectric strength	AC 1000V 1 minute
Cut-out	

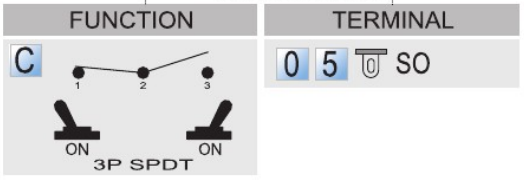


FEATURES

- * MATERIAL: Base is phenolic. Metal lever and bushing are nickel plated metal. Frame is metal plated steel.
- * Indicator plate and watertight boot are optional.
- * Application: Ceiling fan.



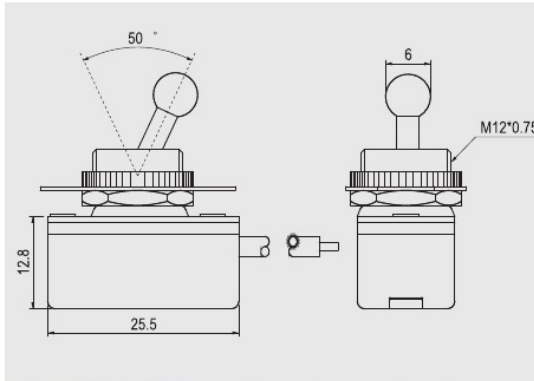
R13-37 -



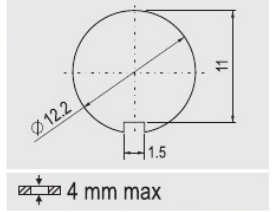
THE DRAWING IS FOR REFERENCE ONLY.



R13-36



Rating
6A 125V AC 3A 250V AC
Contact resistance
50mΩ Max
Insulation resistance
DC 500V 100MΩ Min
Dielectric strength
AC 1000V 1 minute
Cut-out



FEATURES

- * MATERIAL: Metal lever and bushing are nickel plated metal. Frame is metal plated steel. Base is phenolic.
- * Indicator plate and watertight boot (W-70A) only for lever #3 are optional.

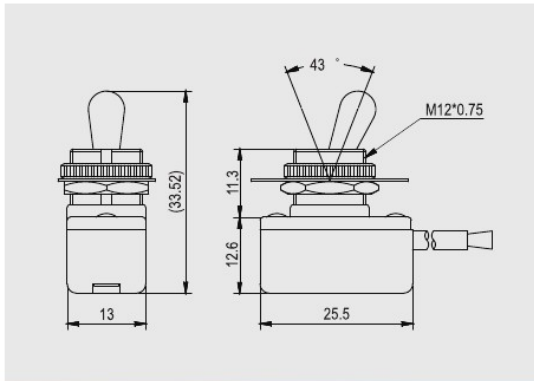


R13-36

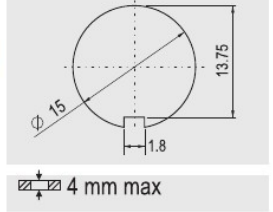
FUNCTION	LEVER & MOUNTING SHAFT	TERMINAL
A 2P SPST	1 4.3 mm max 2 2 mm max 3 10.0 mm max	0 5 SO 0 8 SC 6-32UNC 1 1 WIRE



R13-424



Rating
6A 125V AC 3A 250V AC
Contact resistance
50mΩ Max
Insulation resistance
DC 500V 100MΩ Min
Dielectric strength
AC 1000V 1 minute
Cut-out



FEATURES

- * MATERIAL: Metal lever is nickel plated metal. Bushing is nylon (UL flame: 94V-2). Base is phenolic.
- * Indicator plate is optional.
- * Watertight boot (W-70B) is optional only for lever #1.

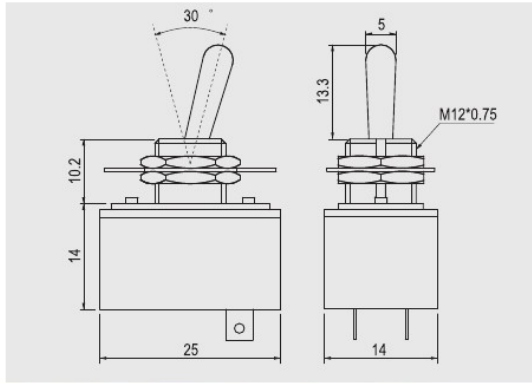
R13-424

FUNCTION	LEVER	TERMINAL
A 2P SPST	1 2 	0 5 SO 0 8 SC 6-32UNC 1 1 WIRE

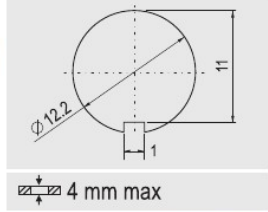


THE SPECIFICATIONS & APPROVALS SUBJECT TO CHANGE WITHOUT NOTICE.

R13-2.4



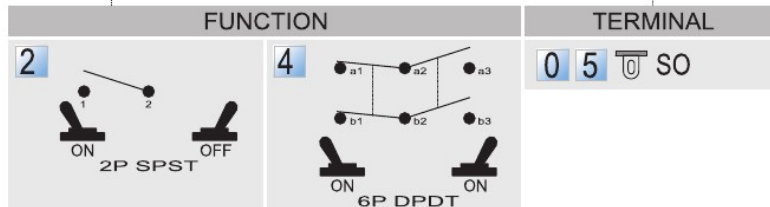
Rating
3A 125V AC 1.5A 250V AC
Contact resistance
50mΩ Max
Insulation resistance
DC 500V 100MΩ Min
Dielectric strength
AC 1000V 1 minute
Cut-out



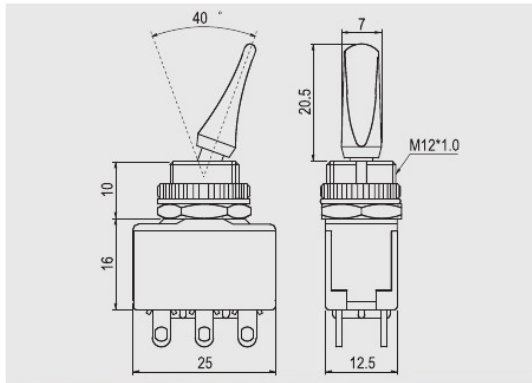
FEATURES

- * MATERIAL: Metal lever and bushing are nickel plated metal. Frame is nickel plated steel. Base is phenolic.
- * Standard toggle lever.
- * Indicator plate and watertight boot (W-70B) are optional.

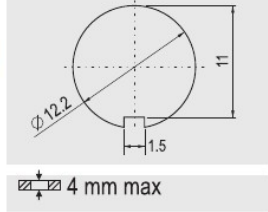
R13- [] - []



R13-406



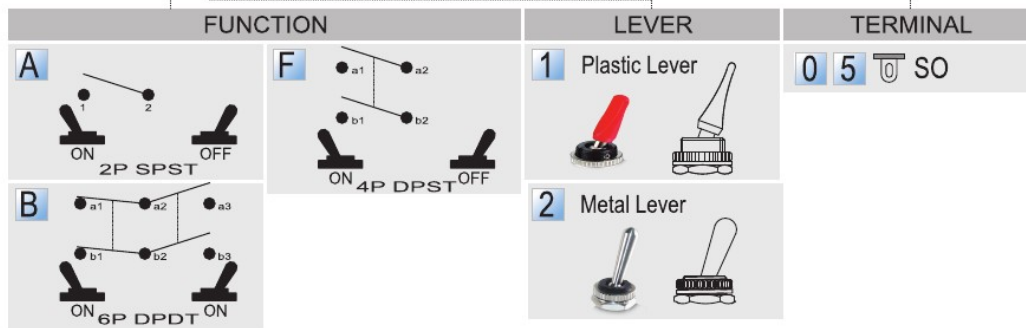
Rating
6A 125V AC 3A 250V AC
Contact resistance
50mΩ Max
Insulation resistance
DC 500V 100MΩ Min
Dielectric strength
AC 1500V 1 minute
Cut-out



FEATURES

- * MATERIAL: Plastic lever is ABS (UL flame: 94V-2). Bushing and frames are nylon (UL flame: 94V-2). Base is phenolic.
- * Watertight boot (W-70A) is optional only for lever #2.

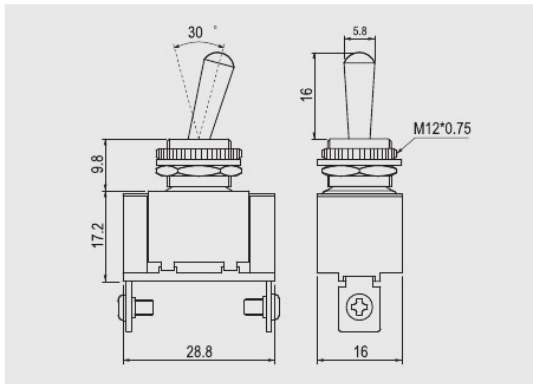
R13-406 [] - []



THE DRAWING IS FOR REFERENCE ONLY.

R13-5.6.7

Metal Housing



Rating
10A 125V AC 6A 250V AC
Contact resistance
50mΩ Max
Insulation resistance
DC 500V 100MΩ Min
Dielectric strength
AC 1500V 1 minute
Cut-out
4 mm max

FEATURES

- * MATERIAL: Metal lever and bushing are nickel plated metal. Frame is nickel plated steel. Base is phenolic.
- * Indicator plate, watertight boot (W-70B) and safety cover are optional.

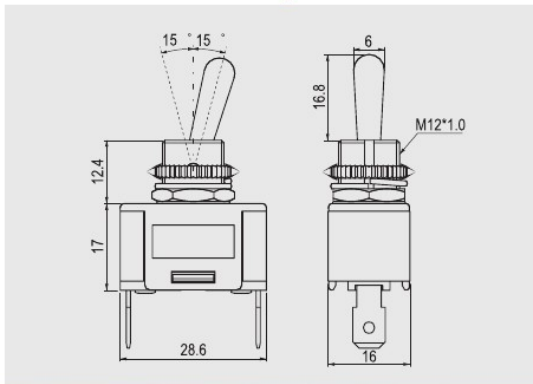


R13-

FUNCTION			TERMINAL	
5		2P SPST	0 1	.250" SQ
6		3P SPDT	0 6	SC 3
7		3P SPDT	0 5	SO
			0 7	SC 4

R13-416

Plastic Housing



Rating
10A 125V AC 6A 250V AC
Contact resistance
50mΩ Max
Insulation resistance
DC 500V 100MΩ Min
Dielectric strength
AC 1500V 1 minute
Cut-out
5 mm max

FEATURES

- * MATERIAL: Metal toggle is nickel plated brass. Frame and bushing are nylon (UL flame: 94V-2). Terminals are nickel plated brass. Base is phenolic.
- * Indicator plate and watertight boot only for lever #1 are optional.



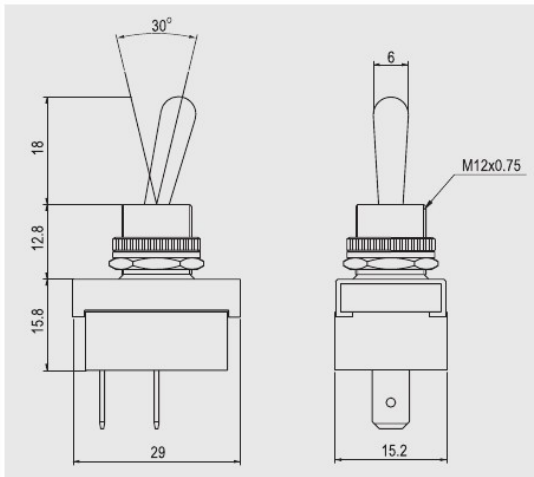
R13-416

FUNCTION		LEVER		TERMINAL	
A		1 Metal Lever		0 1	.250" SQ
C		2 Plastic Lever		0 5	SO
D		6 Plastic Lever		0 6	SC 3
		7 Plastic Lever		0 7	SC 4



ALL SPECIFICATIONS & APPROVALS SUBJECT TO CHANGE WITHOUT NOTICE.

R13-25



Rating
10A 125V AC 6A 250V AC
Contact resistance
50mΩ Max
Insulation resistance
DC 500V 100MΩ Min
Dielectric strength
AC 1500V 1 minute
Cut-out
 ∅12.2 1.5
 6 mm max

FEATURES

- * MATERIAL: Metal lever and bushing are nickel plated metal. Frame is metal plated steel. Terminals are silver plated brass. Plastic lever is ABS (UL flame: 94V-2). Base is phenolic.
- * Indicator plate and watertight boot only for lever #2 are optional.



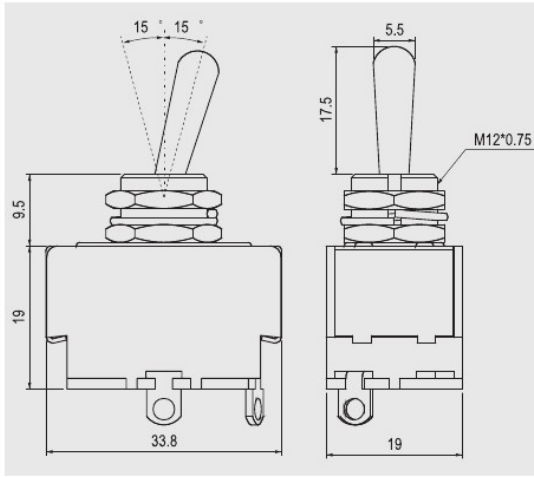
R13-25

FUNCTION		LEVER	TERMINAL
A		1 Plastic Lever 	0 1 .250" SQ For A,C only
E			0 5 SO
B		2 Metal Lever 	
C			
D			



THE DRAWING IS FOR REFERENCE ONLY.

R13-28



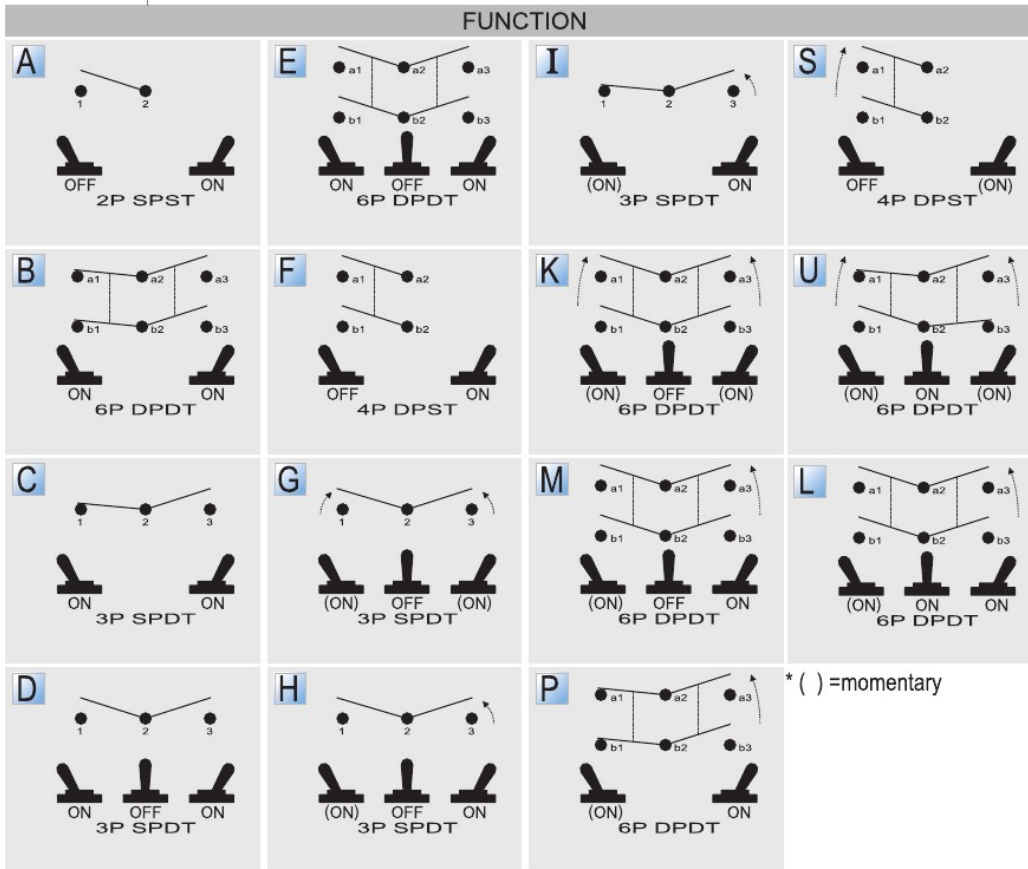
Rating
15A 125V AC 10A 250V AC
Contact resistance
50mΩ Max
Insulation resistance
DC 500V 100MΩ Min
Dielectric strength
AC 1500V 1 minute
Cut-out

FEATURES

- * MATERIAL: Metal lever and bushing are nickel plated metal. Frame is metal plated steel. Terminals are nickel plated brass. Base is phenolic.
- * Standard toggle lever.
- * Indicator plate, watertight boot, safety cover and connector are optional.

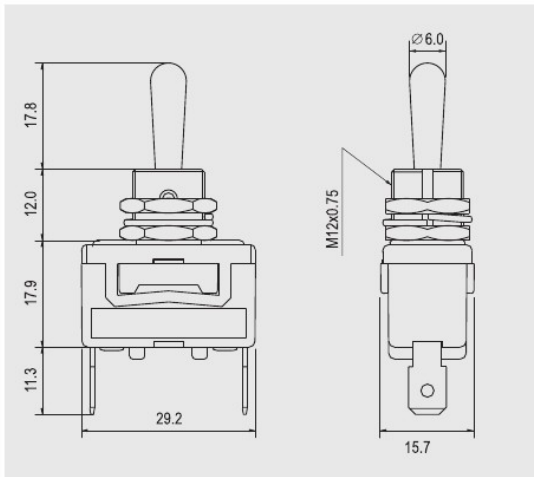


R13-28



TERMINAL	
0 1	.250" SQ
0 5	SO
0 6	SC 3
0 7	SC 4

R13-29



Rating
15A 125V AC 1/8HP 10A 250V AC 1/3HP
Contact resistance
50mΩ Max
Insulation resistance
DC 500V 100MΩ Min
Dielectric strength
AC 1500V 1 minute
Cut-out

FEATURES

- * MATERIAL: Metal lever and bushing are nickel plated metal. Frame is metal plated steel. Base is phenolic.
- * Standard toggle lever.
- * Indicator plate and watertight boot are optional.

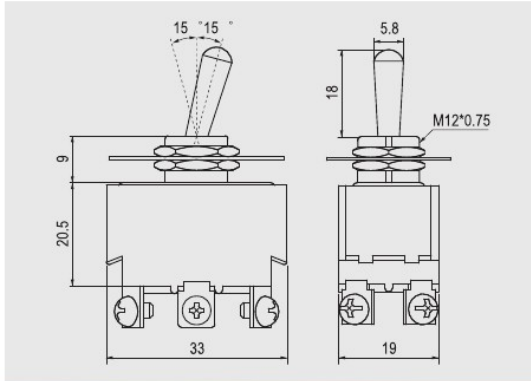


R13-29 -

FUNCTION			TERMINAL
A OFF 2P SPST ON	E ON OFF ON 6P DPDT	K (ON) OFF (ON) 6P DPDT	0 1 .250" SQ
B ON 6P DPDT ON	F OFF 4P DPST ON	M (ON) OFF ON 6P DPDT	0 5 SO
C ON 3P SPDT ON	G (ON) OFF (ON) 3P SPDT	* () = momentary	
D ON 3P SPDT OFF ON	H (ON) 3P SPDT OFF ON		
0 6 SC 3	0 7 SC 4		

R13-8

Metal Lever



Rating
10A 125V AC 6A 250V AC
Contact resistance
50mΩ Max
Insulation resistance
DC 500V 100MΩ Min
Dielectric strength
AC 1500V 1 minute
Cut-out
 4 mm max

FEATURES

- * MATERIAL: Metal lever and bushing are nickel plated metal. Frame is metal plated steel. Terminals are nickel plated brass. Base is phenolic.
- * Standard toggle lever.
- * Indicator plate, watertight boot, safety cover and connector are optional.



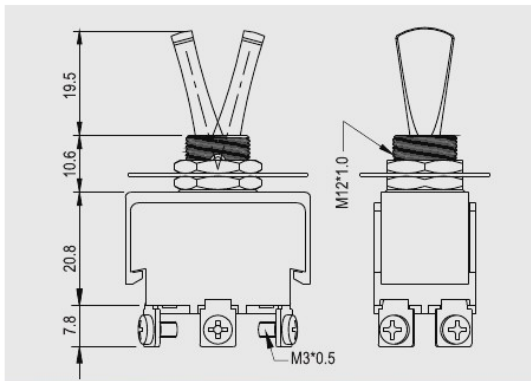
R13-8 -

FUNCTION		TERMINAL	
B		0 1	0 6
E		0 5	0 7

* () =momentary

R13-450

Plastic Lever



Rating
10A 125V AC 6A 250V AC
Contact resistance
50mΩ Max
Insulation resistance
DC 500V 100MΩ Min
Dielectric strength
AC 1500V 1 minute
Cut-out
 4 mm max

FEATURES

- * MATERIAL: Paddle, bushing and frame are nylon (UL flame: 94V-2). Base is phenolic.
- * Indicator plate is optional.

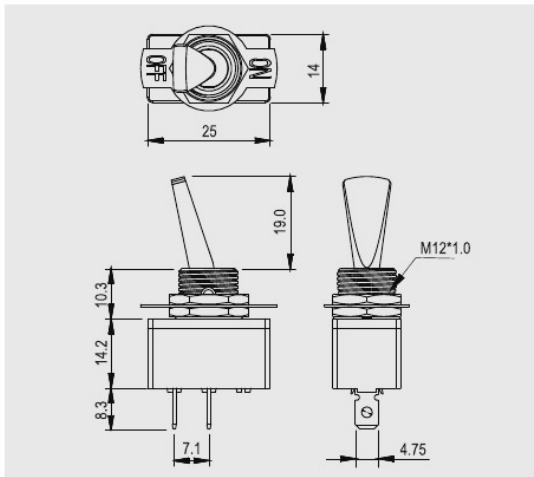
R13-450 -

FUNCTION		TERMINAL	
B		0 1	0 6
E		0 5	0 7
		0 8	

* () =momentary

THE SPECIFICATIONS & APPROVALS SUBJECT TO CHANGE WITHOUT NOTICE.

R13-449

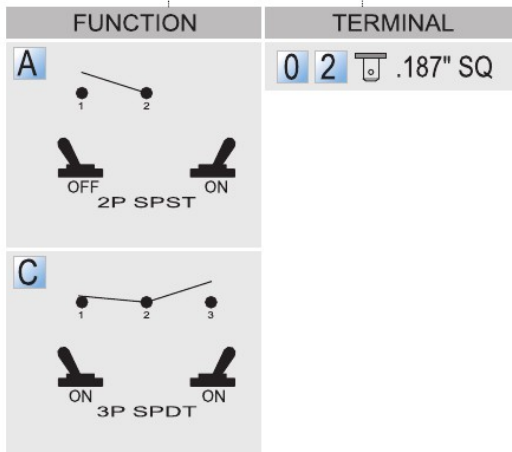


Rating
15A 125V AC 10A 250V AC
Contact resistance
50mΩ Max
Insulation resistance
DC 500V 100MΩ Min
Dielectric strength
AC 1000V 1 minute
Cut-out
$\varnothing 12.0$ 1.0 11.0
5 mm max

FEATURES

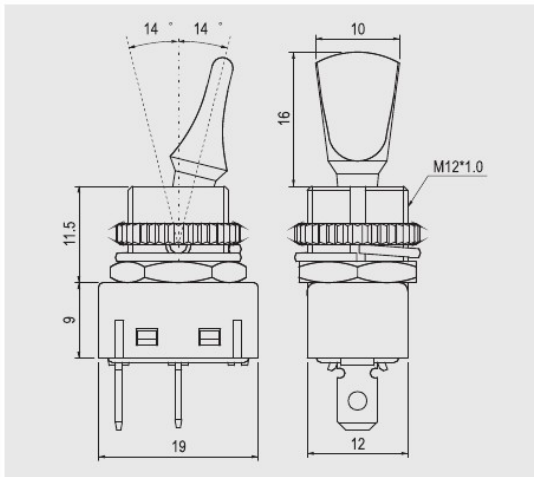
- * MATERIAL: Paddle, frame and bushing are nylon (UL flame: 94V-2). Terminals are copper alloy. Base is PBT (UL flame: 94V-0).
- * Indicator plate is optional.

R13-449 -



THE DRAWING IS FOR REFERENCE ONLY.

R13-412



Rating
8A 125V AC 1/3HP 8A 250V AC 1/2HP
Contact resistance
50mΩ Max
Insulation resistance
DC 500V 100MΩ Min
Dielectric strength
AC 1500V 1 minute
Cut-out
$\varnothing 12.2$ 11.1 1.6
5 mm max

FEATURES

- * MATERIAL: Paddle, frame and bushing are nylon (UL flame: 94V-2). Terminals are silver plated brass. Base is PBT (UL flame: 94V-0).
- * Watertight boot (W-70A) is optional for lever #2 only.

R13-412 -

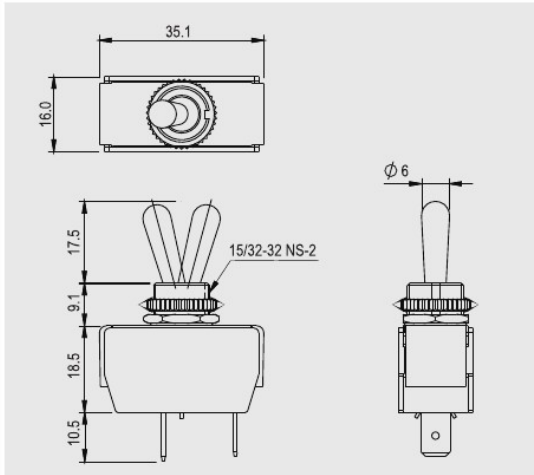
FUNCTION	LEVER	TERMINAL
A 2P SPST	1 Plastic Lever 	0 2 .187" SQ
C 3P SPDT	2 Metal Lever 	
D 3P SPDT		
F 2P SPST		

* () =momentary



THE SPECIFICATIONS & APPROVALS SUBJECT TO CHANGE WITHOUT NOTICE.

R13-447



Rating
16(4)A 250V AC (A,N,R) 12(4)A 250V AC (C,D,G,H,I)
Contact resistance
50mΩ Max
Insulation resistance
DC 500V 100MΩ Min
Dielectric strength
AC 1500V 1 minute
Cut-out
$\phi 12.2$ 1.5
6 mm max

FEATURES

- * MATERIAL: Metal lever is nickel plated metal. Bushing is nylon with glass fiber (UL flame: 94V-0). Frame is nylon (UL flame: 94V-2).
- * Watertight boot (W-72) is optional for lever #1 only.

R13-447

FUNCTION		LEVER	TERMINAL
A OFF 2P SPST	H ON OFF (ON) 3P SPDT	1 Metal Lever 	0 1 .250" SQ 0 5 SO 0 8 SC 6-32UNC 1 2 SO
C ON 3P SPDT	I ON 3P SPDT (ON)	3 Plastic Lever 	
D ON OFF ON 3P SPDT	N OFF 2P SPST (ON)		
G (ON) OFF (ON) 3P SPDT	R (OFF) 2P SPST ON		

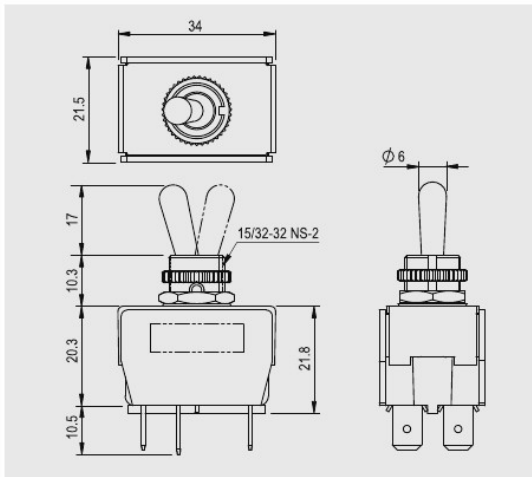
* () =momentary

THE DRAWING IS FOR REFERENCE ONLY.

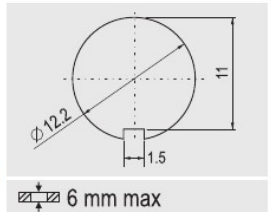


R13-448

Double Poles of R13-447



Rating
16(4)A 250V AC (F,S,Q) 12(4)A 250V AC (B,E,K,M,P)
Contact resistance
50mΩ Max
Insulation resistance
DC 500V 100MΩ Min
Dielectric strength
AC 1500V 1 minute
Cut-out



FEATURES

- * MATERIAL: Metal lever is nickel plated metal. Bushing is nylon with glass fiber (UL flame: 94V-0). Frame is nylon (UL flame: 94V-2).
- * Watertight boot (W-72) is optional for lever #1 only.

R13-448

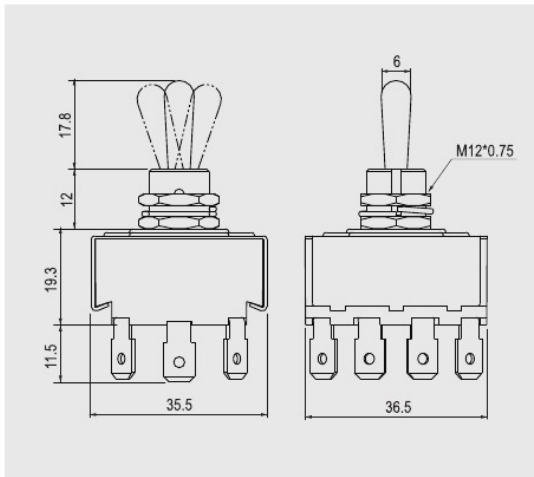
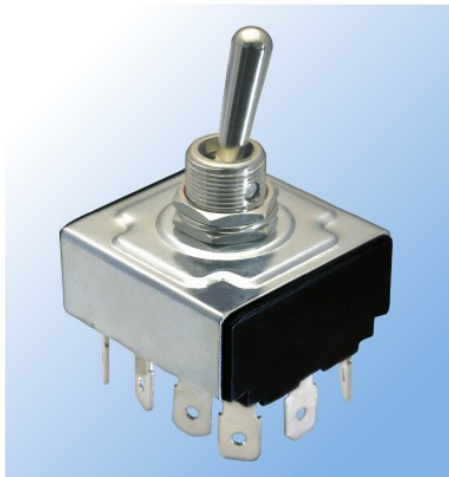
FUNCTION		LEVER	TERMINAL	TERMINAL BARRIER
B 	M 	1 Metal Lever 	0 1 .250" SQ 0 5 SO 0 8 SC 6-32UNC 1 2 SO	A WITHOUT TERMINAL BARRIER B WITH TERMINAL BARRIER
E 	P 	3 Plastic Lever 		DUST AND WATER SEALED <input checked="" type="checkbox"/> IP40 <input checked="" type="checkbox"/> IP56
F 	Q 			
K 	S 			

* () =momentary



THE SPECIFICATIONS & APPROVALS SUBJECT TO CHANGE WITHOUT NOTICE.

R13-44



Rating	16A 125V AC 10A 250V AC
Contact resistance	50mΩ Max
Insulation resistance	DC 500V 100MΩ Min
Dielectric strength	AC 1500V 1 minute
Cut-out	 6 mm max

FEATURES

- * MATERIAL: Metal lever and bushing are nickel plated metal. Frame is metal plated steel. Base is phenolic.
- * Watertight boot is optional.



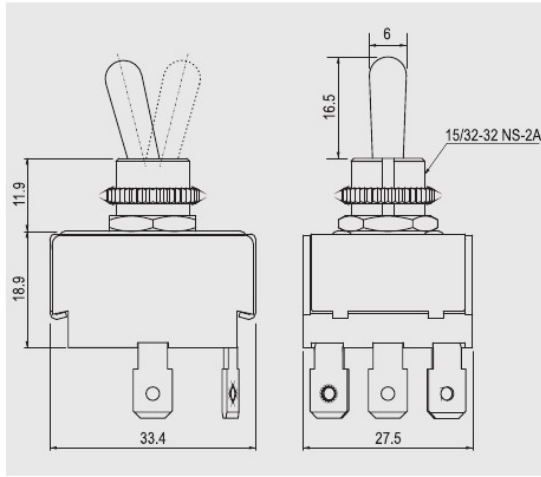
R13-44 - [] [] []

FUNCTION		TERMINAL
A		0 1 .250" SQ
M		0 4 SAE SQ
B		0 5 SO
P		0 6 SC 3
E		0 7 SC 4
S		0 8 SC 6-32UNC
F		
Q		

* () =momentary

THE DRAWING IS FOR REFERENCE ONLY.

R13-432



Rating

18A 125V/10A 250V AC
 3/4HP 125-250V AC
 (A,C,D,N,R)
 16A 125V/10A 250V AC
 3/4HP 125-250V AC
 (G,H,I)

Contact resistance

50mΩ Max

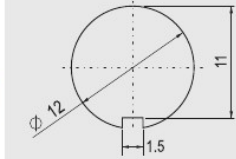
Insulation resistance

DC 500V 100MΩ Min

Dielectric strength

AC 1500V 1 minute

Cut-out



± 5 mm max

FEATURES

- * MATERIAL: Metal lever and bushing are nickel plated metal. Frame is metal plated steel. Base is phenolic.
- * Watertight boot (W-72) is optional.

R13-432

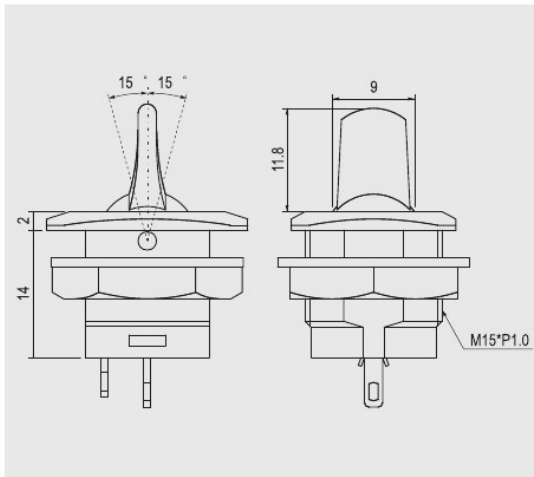
FUNCTION		LEVER	TERMINAL
A 6P 3PST	H 9P 3PDT	1 Standard Type	0 1 .250" SQ
C 9P 3PDT	I 9P 3PDT		0 4 SAE SQ
D 9P 3PDT	N 6P 3PST		0 5 SO
G 9P 3PDT	R 6P 3PST		0 6 SC 3
			0 7 SC 4
			0 8 SC 6-32UNC

* () = momentary

THE SPECIFICATIONS & APPROVALS SUBJECT TO CHANGE WITHOUT NOTICE.

R13-402

Screw type

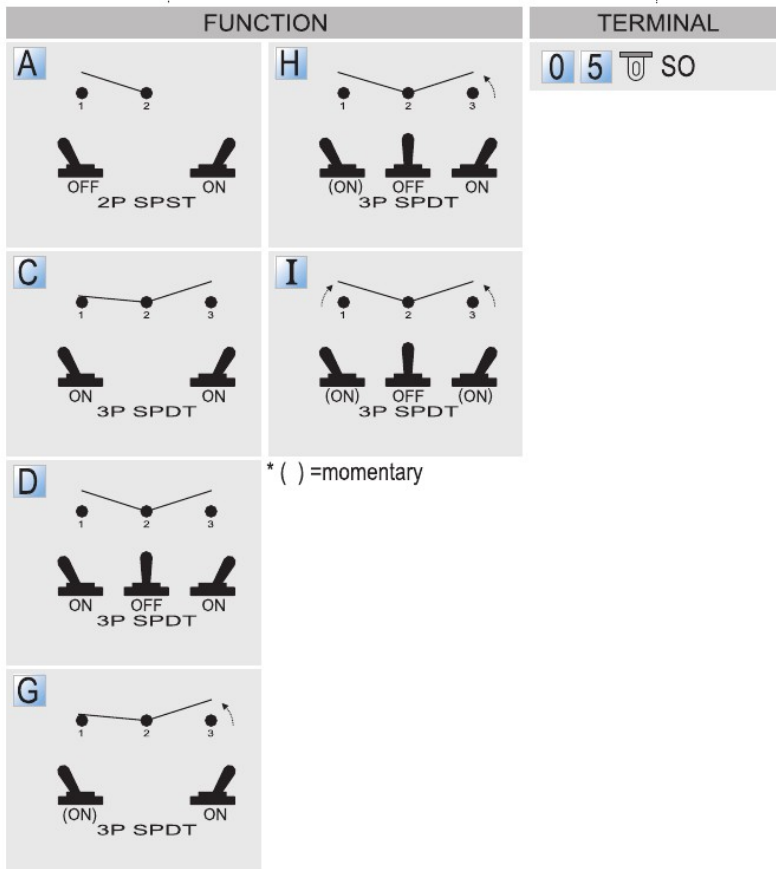


Rating
6A 125V AC 3A 250V AC
Contact resistance
50mΩ Max
Insulation resistance
DC 500V 100MΩ Min
Dielectric strength
AC 1500V 1 minute
Cut-out

FEATURES

- * MATERIAL: Frame is nylon (UL flame: 94V-2). Base is PBT (UL flame:94V-0). Terminals are silver plated brass.
- * Mounted by nut.

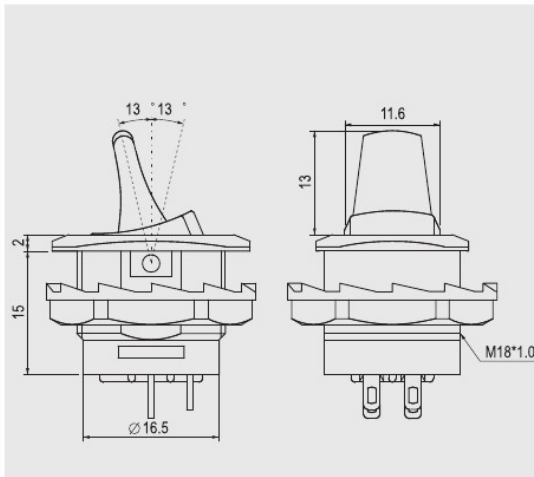
R13-402



THE DRAWING IS FOR REFERENCE ONLY.

R13-405

Screw type



Rating	10A 125V AC 6A 250V AC
Contact resistance	50mΩ Max
Insulation resistance	DC 500V 100MΩ Min
Dielectric strength	AC 1500V 1 minute
Cut-out	

FEATURES

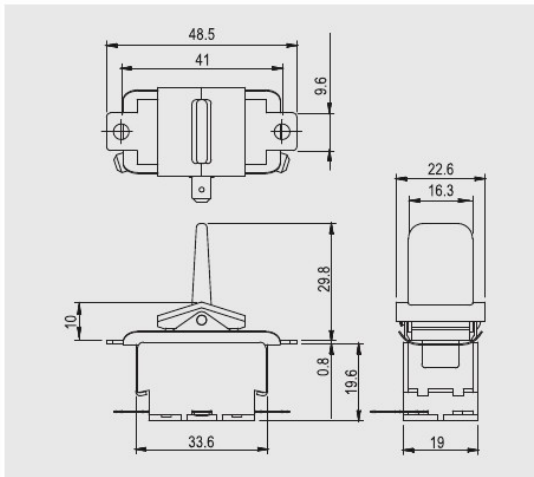
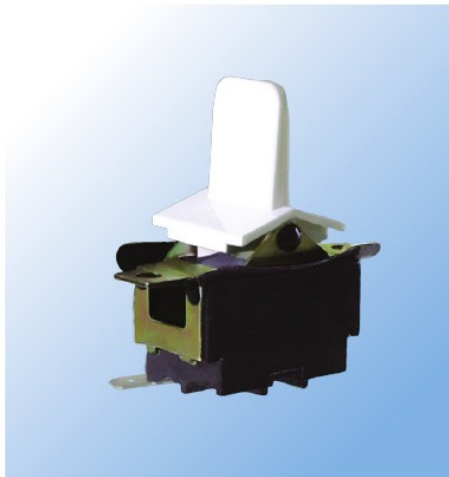
- * MATERIAL: Frame is nylon (UL flame: 94V-2). Base is PBT (UL flame: 94V-0). Terminals are silver plated brass.
- * LED indicator on the top of lever. (AL, CL, DL type only). LED available with red, amber, green, blue and white colors.

R13-405

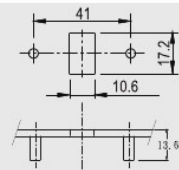
FUNCTION		TERMINAL	LEVER
A 4P DPST	AL 4P SPST (LED)	0 5 SO	A/C/D/G
C 6P DPDT	CL 5P SPST (LED)		AL/CL/DL
D 6P DPDT	DL 5P SPST (LED)		
G 6P DPDT	* () =momentary		



R13-80



Rating
15A 125V/10A 250V AC 3/4HP 125V-250V AC
Contact resistance
50mΩ Max
Insulation resistance
DC 500V 100MΩ Min
Dielectric strength
AC 1500V 1 minute
Cut-out



FEATURES

- * MATERIAL: Paddle is nylon (UL flame: 94V-2). Terminals are nickel plated brass. Base is phenolic.
- * Screw mounting.
- * With watertight rubber gasket.

R13-80 ■ ■ - ■ ■

FUNCTION	LEVER	TERMINAL
G 3P SPDT	3 	0 5 SO
K 6P DPDT		

* () =momentary